

CHALLENGER OF RECORD & DEFENDER
AMERICA'S CUP 36

Notice to Competitors

N°11

To: All Competitors in the 36th America's Cup

From: Royal New Zealand Yacht Squadron and Circolo della Vela Sicilia

Subject: Specification for the supplied ultrasonic transmitter and for the high-pressure accumulator.

Date: 6th May 2019

Please find attached the specifications for the supplied ultrasonic transmitter and for the high-pressure accumulator.

Supplied ultrasonic transmitter as per Class Rule 23.1 (f):

CHP-87-L pinger, 75 kHz option with 1 Hz pings.

Supplier: Sonotronics, contact person Marlin

Supplied high-pressure accumulator as per Class Rule 22.13 (a):

ACC_A_2_29909 Ti Accumulator, 600bar as per attached drawing

Supplier: Cariboni, contact person Paola

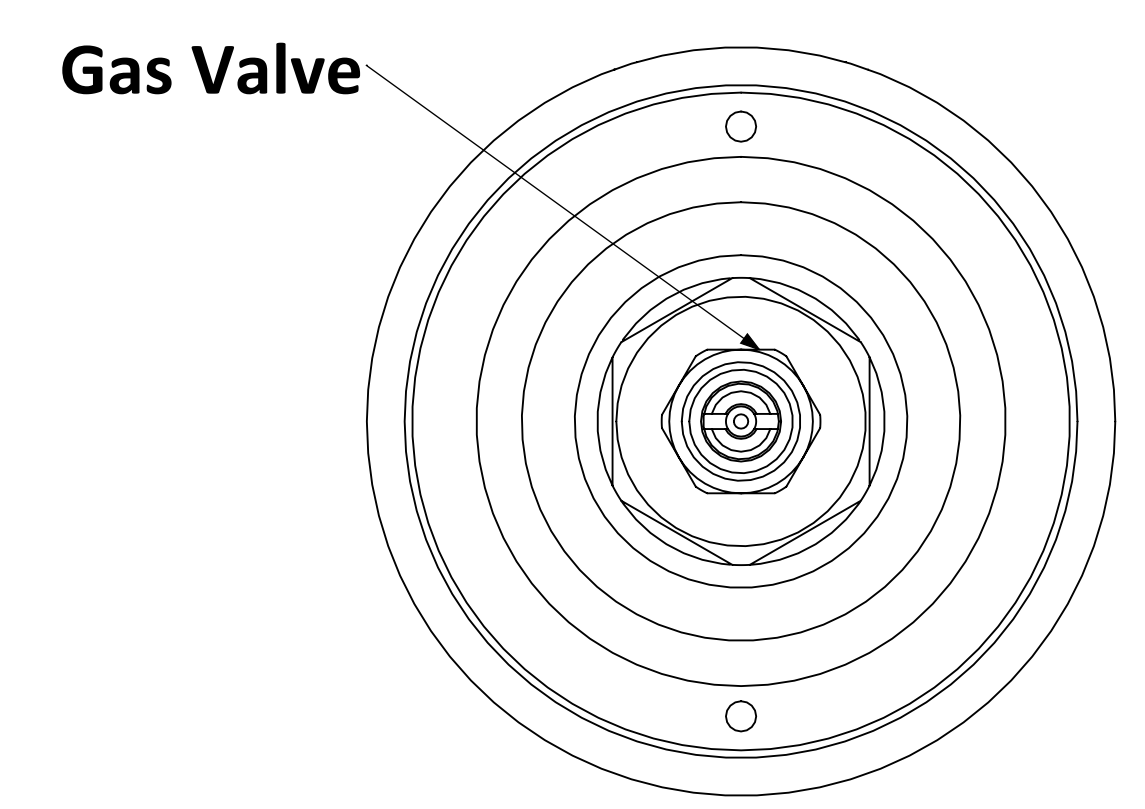
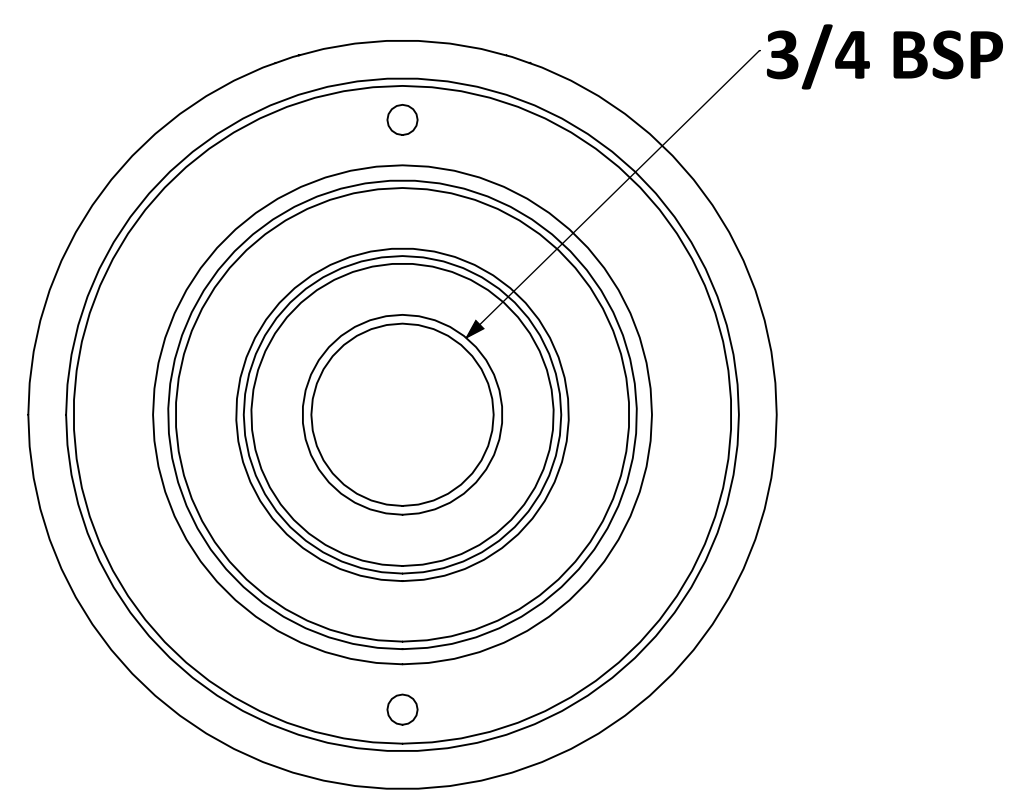
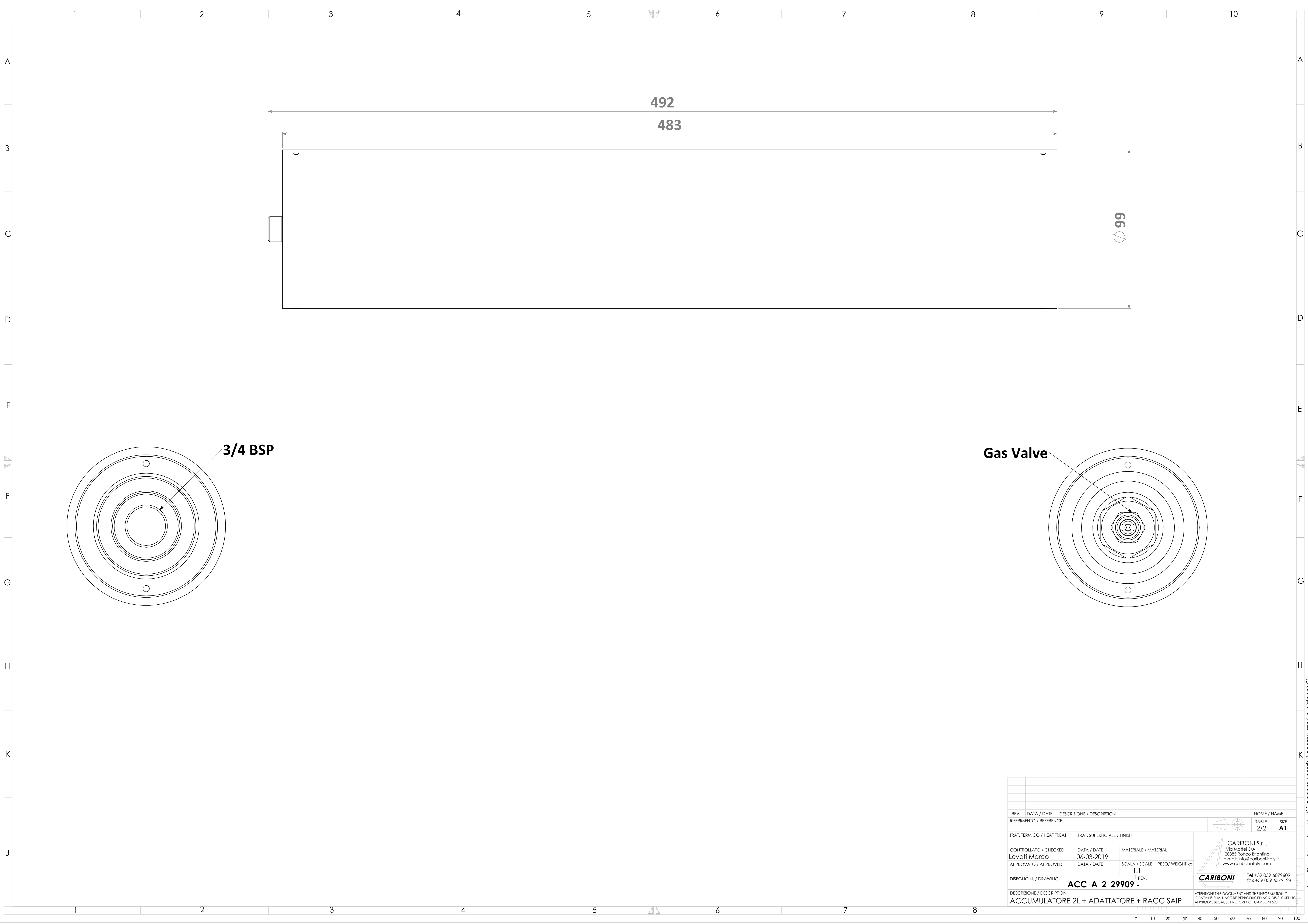
An initial batch of accumulators compliant with rule 22.13 (a) has been ordered through Peter Thomas of ACE. Any further accumulators required in the future must be identical to those produced as part of that initial batch; cost and delivery time will have to be negotiated directly with Cariboni.

Kind regards,



Cathy Ryan
COR Team Liaison

COR 36 Srl
Via Spartaco 8, 20135 Milano - Italy
Tel. +39 02 871 18001
Codice Fiscale e Partita IVA 10114850968



REV.	DATA / DATE	DESCRIZIONE / DESCRIPTION	NOME / NAME
RIFERIMENTO / REFERENCE			TABLE 2/2
TRAT. TERMICO / HEAT TREAT.			SIZE A1
TRAT. SUPERFICIALE / FINISH			
CONTROLLATO / CHECKED	DATA / DATE	MATERIALE / MATERIAL	CARIBONI S.r.l. Via Mattei 3/A 20885 Ronco Briantino e-mail: info@cariboni-italy.it www.cariboni-italy.com Tel +39 039 6079609 fax +39 039 6079128
Levati Marco	06-03-2019		
APPROVATO / APPROVED	DATA / DATE	SCALA / SCALE	PESO / WEIGHT kg
		1:1	
DISEGNO N. / DRAWING	REV.	ACC_A_2_29909 -	
DESCRIZIONE / DESCRIPTION			ATTENZIONE! THIS DOCUMENT AND THE INFORMATION IT CONTAINS SHALL NOT BE REPRODUCED NOR DISCLOSED TO ANYBODY, BECAUSE PROPERTY OF CARIBONI S.r.l.
ACCUMULATORE 2L + ADATTATORE + RACC SAIP			